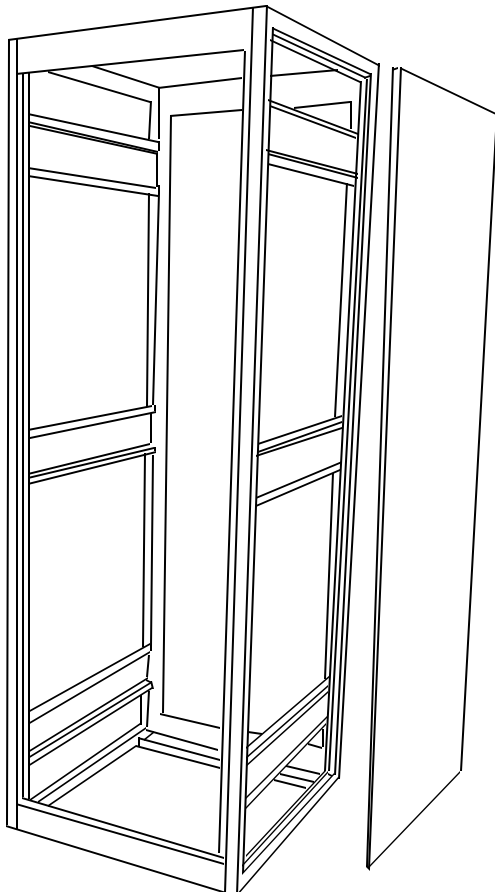


Our full feature 19" racks are uniquely designed unlike other racks. We make the strongest construction on the knock down racks. A welded side frame with roll formed tube as corner post is used for best quality and the lowest price. These racks are designed to bolt together easily to become a modular multi-bay configuration.

The 4 mounting rails are 3/16" thick with fully tapped 10-32 screw holes on the EIA universal spacing. The 18 gauge side panel with reinforce brackets are removable. Optional front and back doors are available.

FEATURES:

- Knock-down unit reduces shipping cost by 50%
- Roll form corner post for strength and rigidity
- Modular design can be used as multi-bay rack
- Easy to install by 2 screws on each corner
- All hardware and rubber casters included
- Provides 60 of 10-32 ss screws and nylon washers
- Optional front and back doors



ORDER INFORMATION:

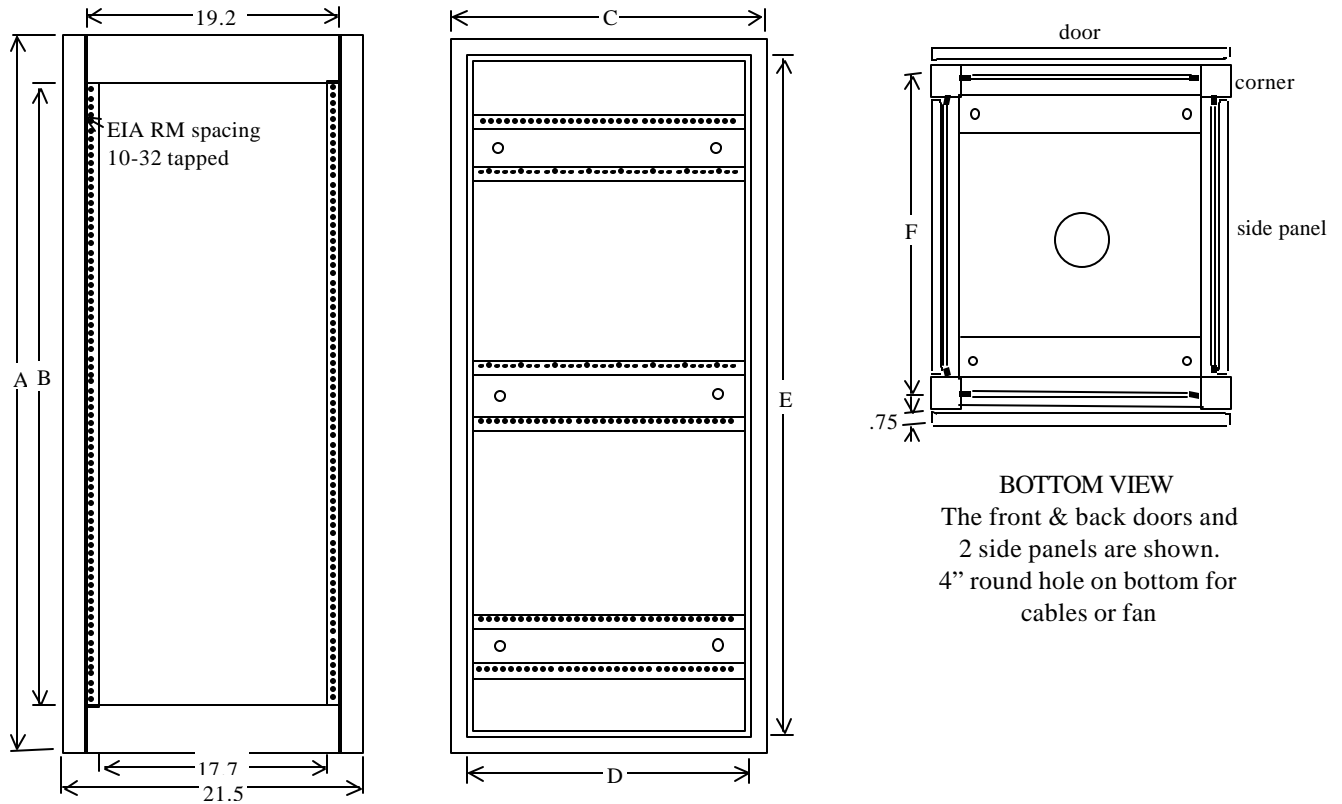
Our rack can be shipped either knock-down or assembled. The knock-down rack can be shipped in 3 packages by UPS, or it can be shipped with pallet by truck if it is assembled or large quantity.

Unit comes complete with top, bottom, 2 side frames with front & back mounting rails, 4 hard rubber casters / floor levelers, screws for assembly, and quantity of 2xRU stainless steel screws (10-32) with nylon washers.

Optional side panels and doors are ordered separately. You may need only one pair of side panels for multi-bay configuration. Doors can be chosen vented, flash handle, or lock handle.

DETAILED DIMENSIONS

41 SERIES



BOTTOM VIEW
 The front & back doors and
 2 side panels are shown.
 4" round hole on bottom for
 cables or fan

ORDERING OPTIONS

Suffix -x for color	y = door handle	v = vent on door
-E Beige	-F flash handle	-0 no vent holes
-G Gray	-L key lock handle	-1 1/4 section vented
-P Black		-2 1/4 on top and bottom
-R Blue		-5 Glass door

Rack mount shelves, computer shelves, monitor shelves, keyboard drawers, turret shelves, slide assemblies, fan assemblies, and power strips are available from stock. Detail information can be found in this catalog, or call for special applications.

Rack Stock No.	Dimensions						Ship Wgt	Doors		Sides	
	A	B	C	D	E	F		Stock No.	Wgt	Stock No.	Wgt
41-12422Ux	44.5	38.5	24.0	42.25	21.75	23.0	42	41-22Dyvxx	24	41-2422Sx	20
41-12428Ux	55.0	49.0	24.0	52.75	21.75	23.0	54	41-28Dyvxx	32	41-2428Sx	28
41-12434Ux	65.5	59.5	24.0	63.25	21.75	23.0	63	41-34Dyvxx	42	41-2434Sx	36
41-12440Ux	76.0	70.0	24.0	73.75	21.75	23.0	75	41-40Dyvxx	52	41-2440Sx	42
41-13022Ux	44.5	38.5	30.0	42.25	27.75	29.0	65	41-22Dyvxx	24	41-3022Sx	30
41-13028Ux	55.0	49.0	30.0	52.75	27.75	29.0	80	41-28Dyvxx	32	41-3028Sx	40
41-13034Ux	65.5	59.5	30.0	63.25	27.75	29.0	95	41-34Dyvxx	42	41-3034Sx	50
41-13040Ux	76.0	70.0	30.0	73.75	27.75	29.0	110	41-40Dyvxx	52	41-3040Sx	60