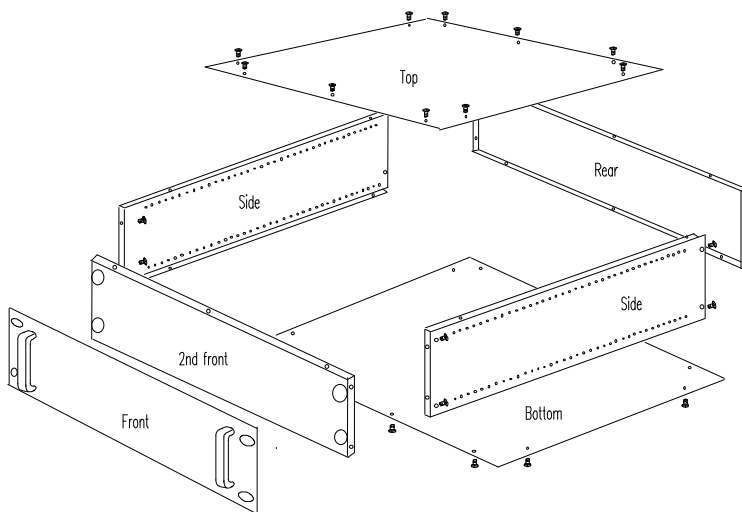


Our Series 12 is an all aluminum, EMI shielded light weight 19" rack-mount chassis. All surfaces have a brushed alodine finish or optional anodized or painted finish. Alodine is a conductive coating for aluminum where a good grounding or RFI / EMI shielding is required.

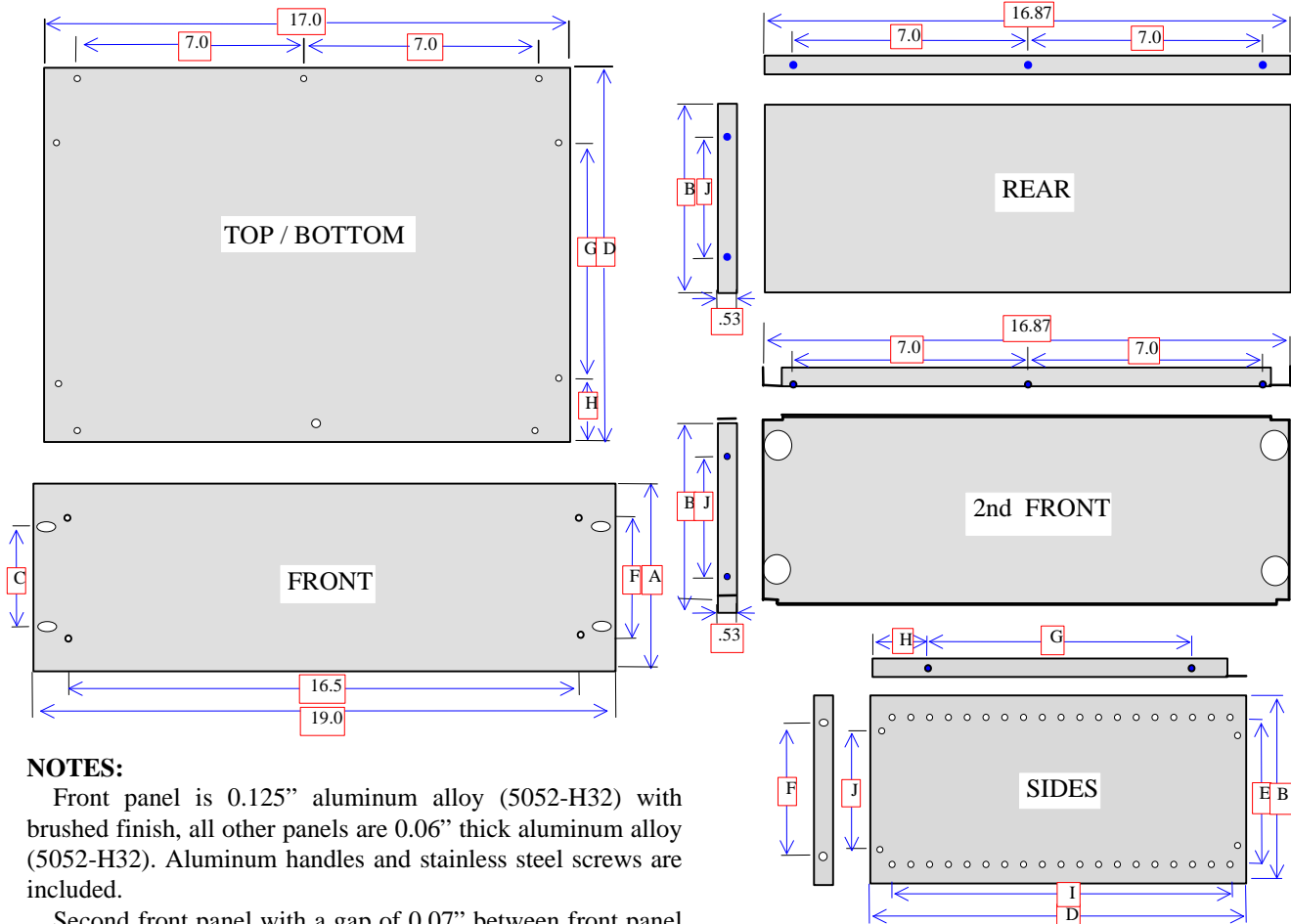
The holes on the side panels are provided as vent holes or mounting of support channels. There are 4 rows of holes on each side panel (not shown) for the panel height above 4 RU. Stainless steel screws and press nuts are used for best quality.

**QUICK REFERENCE GUIDE**

RACK UNIT	STOCK No.	DIMENSIONS (inch)	
		Height	Depth
1	12-19072x	1.74	7.00
1	12-19122x	1.74	11.50
2	12-19073x	3.49	7.00
2	12-19123x	3.49	11.50
3	12-19125x	5.24	11.50
3	12-19155x	5.24	15.00
4	12-19127x	6.98	11.50
4	12-19157x	6.98	15.00
5	12-19129x	8.73	11.50
5	12-19159x	8.73	15.00
6	12-19120x	10.47	11.50
6	12-19150x	10.47	15.00

DETAILED DIMENSIONS

12 SERIES



NOTES:

Front panel is 0.125" aluminum alloy (5052-H32) with brushed finish, all other panels are 0.06" thick aluminum alloy (5052-H32). Aluminum handles and stainless steel screws are included.

Second front panel with a gap of 0.07" between front panel is provided for rigidity, shielding and component mounting.

All screw holes are installed with 6-32 press-nuts for strength.

Optional vent holes are available on top, bottom or sides.

Add suffix-x for your choice of color or finish:

- A alodine (EMI/RFI shielded)
- C clear anodize
- S black anodize front and gold alodine body

RACK UNIT	STOCK No.	DIMENSIONS (inch)										WEIGHT (LBS)
		A	B	C	D	E	F	G	H	I	J	
1	12-19072x	1.74	1.39	1.25	7.00	0.50	1.00	6.00	1.50	6.00	-	4
1	12-19122x	1.74	1.39	1.25	11.50	0.50	1.00	8.00	1.75	10.50	-	5
2	12-19073x	3.49	3.14	3.00	7.00	2.10	2.00	6.00	1.50	6.00	2.00	5
2	12-19123x	3.49	3.14	3.00	11.50	2.10	2.00	8.00	1.75	10.50	2.00	6
3	12-19125x	5.24	4.89	2.25	11.50	3.80	3.75	8.00	1.75	10.50	4.00	7
3	12-19155x	5.24	4.89	2.25	15.00	3.80	3.75	6.5x2	1.00	14.00	4.00	8
4	12-19127x	6.98	6.64	4.00	11.50	5.60	5.50	8.00	1.75	10.50	5.00	8
4	12-19157x	6.98	6.64	4.00	15.00	5.60	5.50	6.5x2	1.00	14.00	5.00	9
5	12-19129x	8.73	8.39	5.75	11.50	7.40	7.25	8.00	1.75	10.50	6.55	10
5	12-19159x	8.73	8.39	5.75	15.00	7.40	7.25	6.5x2	1.00	14.00	6.55	11
6	12-19120x	10.47	10.14	7.50	11.50	9.15	7.25	8.00	1.75	10.50	4.5x2	11
6	12-19150x	10.47	10.14	7.50	15.00	9.15	7.25	6.5x2	1.00	14.00	4.5x2	12